

Custom LED Retrofit Kits

BRINGING NEW LIFE TO OLD FIXTURES

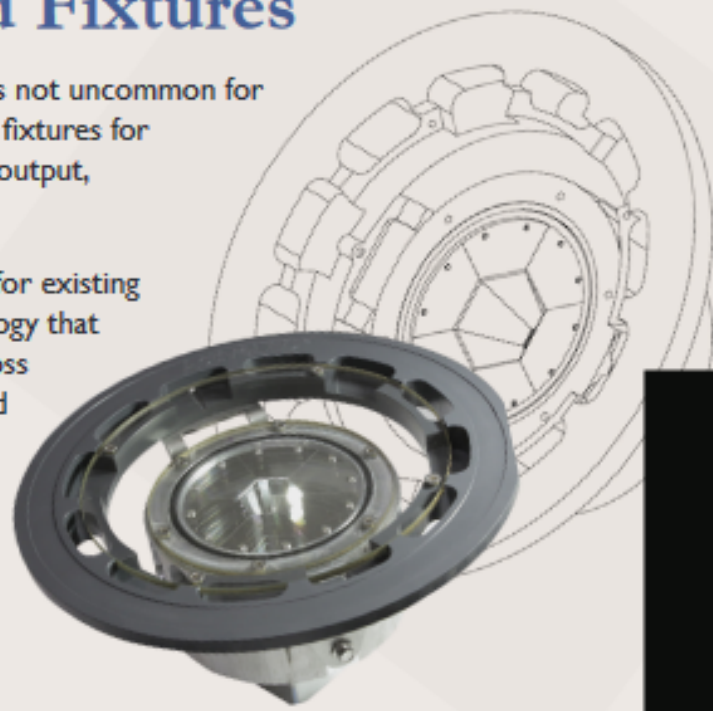
ActiveLED[®]



Bringing New Life to Old Fixtures

In today's ever-changing financial and technological markets, it's not uncommon for a property owner to state that they like their existing lighting fixtures for aesthetic, historical, or vintage reasons, but not for their light output, energy costs, or maintenance schedule.

ActiveLED® specializes in creating Custom LED Retrofit Kits for existing fixtures. With a matching or better light output, LED technology that can save up to 90% in energy costs, and a 10 Year, No-Light-Loss Warranty, property owners can keep the fixtures they like and enjoy the benefits from state-of-the-art LED technology as well.



15 Watt, ActiveLED® Retrofit Kit for a Flow Through In-Grade Fixture. Replaces a 150 Watt, Metal Halide Lamp for an energy savings of 90%.



COMPLETE RESTORATION

Riverbend Church not only wanted new LED Retrofit Kits for their Bollards, but they wanted the fixtures to also be completely restored. ActiveLED® designed a custom 18 Watt, Retrofit Kit to replace the 120 Watt, High Pressure Sodium Lamps in 45 of their bollards for an energy savings of 4,590 Watts, or 85%. Each bollard was also re powder coated for a new, sleek appearance.

SIMPLE PROCESS RESULTING IN ELEGANT SOLUTIONS.

All that is required for a custom design is to send us a physical sample of one of the fixtures to be retrofitted. Our talented team of engineers will study the fixture and design a Custom LED Retrofit Kit. Once the design has been approved for quality and suitability for our 10 Year, No-Light-Loss Warranty, a sample of the retrofit will be manufactured and sent out for installation and approval.

A Custom LED Retrofit Kit is comprised of the highest quality LEDs, a heatsink assembly and a light engine that includes the LED driver and surge suppression. Most designs are field installable, making for a simple, powerful fixture upgrade.



AMBIANCE

Created for 3M, this 18 Watt, ActiveLED® Retrofit Kit was designed to replace 62 Watt CFL Lamps in 76 indoor wall sconces. Total energy savings was 3,344 Watts, or 71%. The client was able to maintain the ambiance of the architecture with the warmer 2,700K color temperature LEDs.

DESIGN ELEMENTS

Many rustic fixture designs conjure up images of bygone eras. This 32 Watt, ActiveLED® Retrofit Kit was designed to replace 175 Watt, High Pressure Sodium Lamps in this 20" Barn Fixture.

Many have tried cheap LED replacement bulbs which in most cases last shorter than the old HID and HPS lamps. ActiveLED® is a game changer as it provides the required light output and warranties its devices for 10 years.



BEAUTY AND FUNCTION

Southwestern University loved the classic form of their Acorn Post Tops, but were interested in better light output and less maintenance. ActiveLED® designed a custom 32 Watt, Retrofit Kit to replace the 210 Watt, Metal Halide Lamps in 19 of their fixtures. Not only are they able to enjoy more light and a decade free of maintenance, but they are able to do it while saving 3,382 Watts, or 85% in energy.

OFFICES

UNITED STATES

101 Halmar Cove
Georgetown, TX 78628
United States of America
+1 512 288 9080 Phone
+1 888 288 9080 Toll Free (US)
+1 512 288 7210 Fax
ActiveLED.com

UNITED KINGDOM

26 Victoria Way
Burgess Hill
West Sussex, RH15 9NF
United Kingdom
+44 (0) 1444 870228 Phone
0800 214503 Freephone (UK)
+44 (0) 1444 870228 Fax
ActiveLED.com

JAPAN

1-35-103 Ayase
Adachi, Tokyo 120-0005
Japan
+81 80 3205 0135 Phone
ActiveLED.com

SINGAPORE

9 Temasek Boulevard
#09-01 Suntec Tower Two
Singapore 038989
+65 6407 1396 Phone
+65 6407 1501 Fax
ActiveLED.com

PRODUCT CATEGORIES

OUTDOOR LED LIGHTING

Accent / Landscape
Canopy
Flood / Signage
Hazard
Parking / Roadway
Sports / Stadium
Trail / Walkway
Transit
Wall Mount
Poles and Mounting

INDOOR LED LIGHTING

Accent
High / Low Bay
Recessed Mount
Specialty
Surface Mount

LED RETROFIT KITS

CUSTOM FIXTURE DESIGN

LightSPACE® LIGHTING CONTROLS

SOLAR POWER & DC STORAGE

ActiveLED®

Energy Efficient Lighting and Controls



German Engineered. American Made.™

Product manufactured in Georgetown, Texas.

© 2016 ActiveLED, a division of Ringdale®, Inc. Because of continued product improvements, ActiveLED reserves the right to change specifications without notice. Ringdale®, ActiveLED®, ActiveLED Logo, and LightSPACE® are registered trademarks of Ringdale, Inc.